

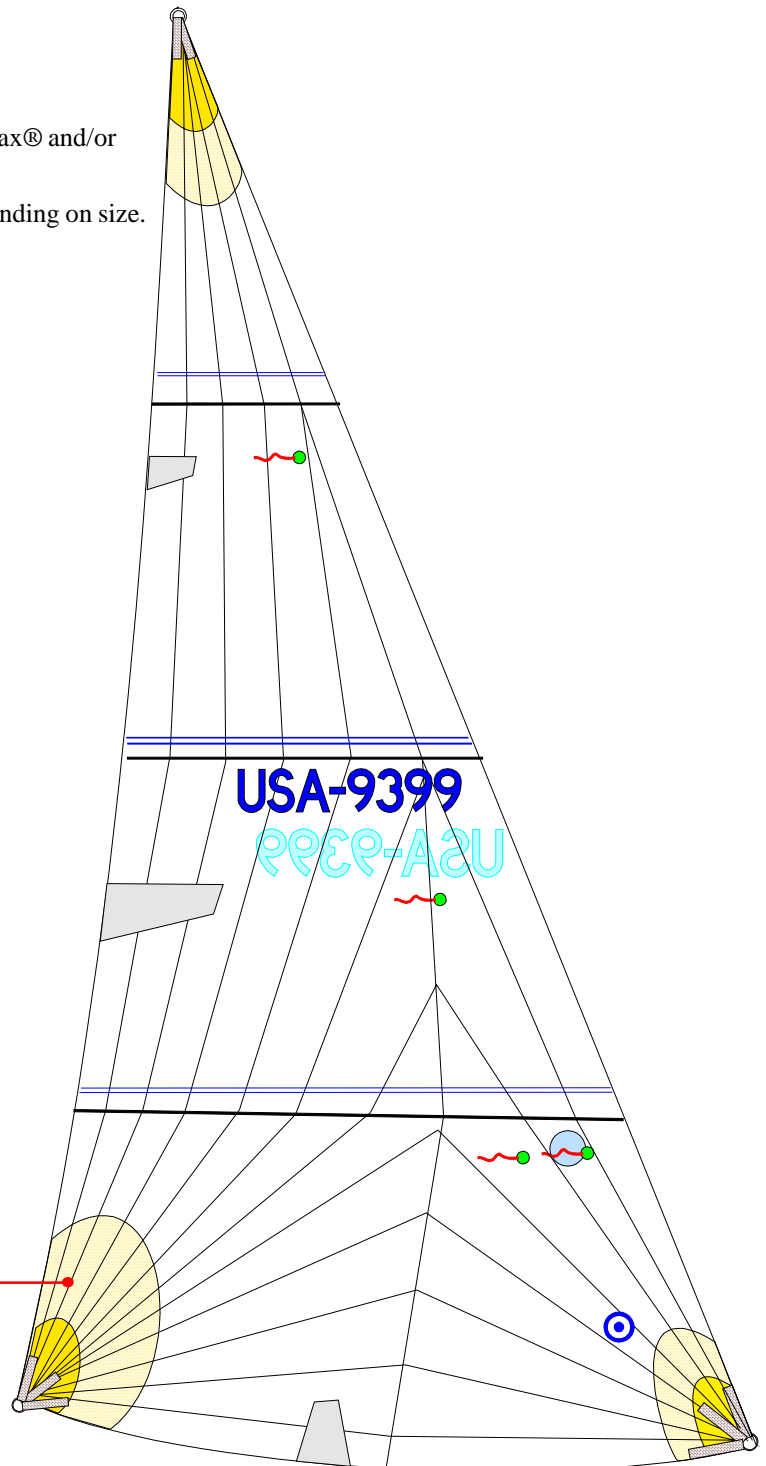
Standard Features

- ◆ Corner rings are webbed stainless steel external rings.
- ◆ Tri-radial panel layouts using composite laminates in DiAx® and/or Pentex® and Aramid fabrics.
- ◆ All seams will have 1 to 3 rows of 3-step stitching, depending on size.
- ◆ Neil Pryde *integrated patching system*.
- ◆ Sails include 2-3 draft stripes and numbers.
- ◆ Spreader and Stanchion patches.
- ◆ Kevlar or Spectra leech & foot lines.
- ◆ Tell-tails and one tell tail window.
- ◆ Zipper sausage sailbag.

Optional Features

- ◆ Light weight sacrificial U.V. Cover
- ◆ Up and Over Leechline

Integrated radial patches throughout.



Quality, Service, Value

- ◆ High performance scrim racing sails come with a one year warranty on materials and two year on workmanship.
- ◆ If you ever need service, our consultants will direct you to the nearest of our worldwide network of Service lofts.
- ◆ No matter where in the world your sailing takes you, we are there to help.
- ◆ For further information, contact your Neil Pryde consultant by dialing 1-203-874-6984 or <http://www.neilprydesails.com>

Drawings and type may describe features not applicable to all sizes of sails. Our ongoing development program may change features and specifications without notice.

17-Oct01